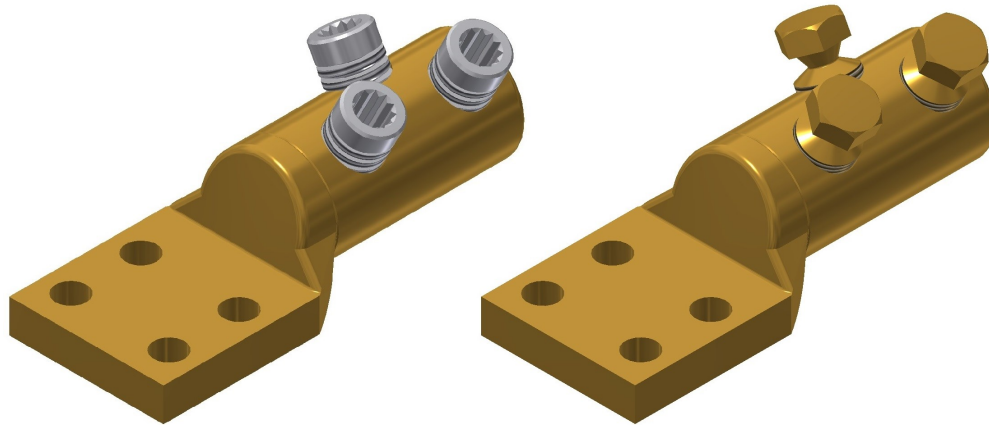


HVTM3/4 & HVTM3/4/SH Transformer Connector



Principle Application:

Termination of solid/stranded aluminium/copper circular conductor cores used in the connection of LV transformer tails.

Range:

Connector Reference	Core C.S.A. (mm ²)	Stud Size (mm)
HVTM3/4	400	4 xM10
HVTM3/4/SH		

Note: For jointing other core configurations/sizes please contact Sicame Engineering Department.

The **Sicame HVTM3/4** mechanical lugs are manufactured from solid brass thereby providing an integral moisture block.

The appropriate tooling is to be used at all times (Ref: HVTM3/4), typical examples shown below.



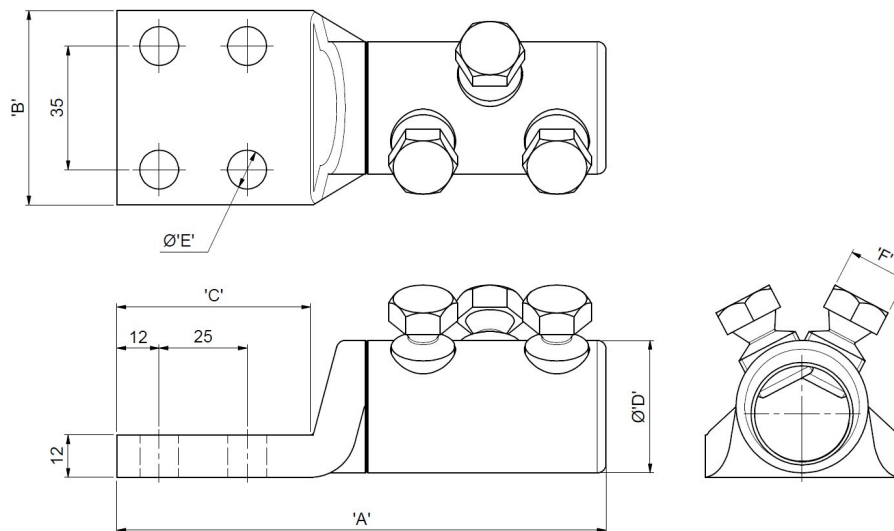
'JTS/7I' Universal Screw Ratchet Tool (Insulated)



'JTS/16' Universal Screw Socket (17mm A/F)

HVTM3/4 & HVTM3/4/SH Transformer Connector

Physical Dimensions



Connector Reference	Dimensions (mm)						
	'A'	'B'	'C'	Ø'D'	Ø'E'	'F'	Stud Size
HVTM3/4	139	55	55	37.5	12	M18	4x10
HVTM3/4/SH	139	55	55	37.5	12	17mm A/F	4x10

Material:

Brass

Fitting instructions:

1. Strip insulation from each core equal to the depth of the bore guide + 5mm.
2. Thoroughly abrade exposed conductors.
3. Fully insert core within the barrel of the connector.
4. Tighten the bolts consecutively one turn at a time until all the heads shear.