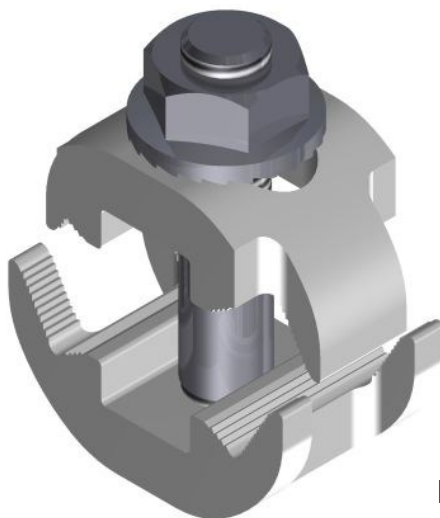


- Mains Service Connector
- Service / Service

MECHANICAL CONNECTORS

LVS Connector



Patent No: GB 2311662

Principle Application:

- ESI 09-7 : PVC Insulated Concentric Service Cable
- ESI 09-8 : Impregnated Paper-Insulated 600/1000 Volt (CONSAC)
- ESI 09-9 : Polymeric Insulated, Combined Neutral/Earth (Waveform)
- BS6346 : PVC Insulated 600/1000 Volt Cable
- BS6480 : Impregnated Paper Insulated Lead or Lead Alloy (PILC)

Range:

Connector Reference (Part Number)	Core C.S.A. (mm ²)		
	Mains/Service		Service
	Min	Max	
LVS 1 (3395-418)	35	95	25/35
LVS 2 (51803-53)	35	185	
LVS 3 (51803-51)	35	300	

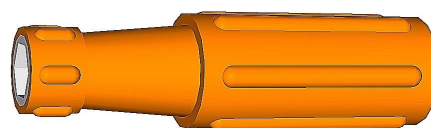
Note: For jointing other core configurations/sizes please contact Sicame Engineering Dept

The Sicame **LVS...** range of connectors has been designed to provide the end user with a cost effective method of jointing all types of LV cables using a single range of profiled mechanical connectors.

The LVS connectors are suitable for jointing an extensive range of LV cables including aluminium or copper (2), solid or stranded, shaped or circular (service) conductor cores.

Accessories:

- LV Fitted Insulation Shroud for:-
- LVS 1 - Part No: 4345 + ties (x2)
- LVS 2 - Part No: 4348 + ties (x2)
- LVS 3 - Part No: 4351 + ties (x2)



'JTS/21' Insulated Nut Runner

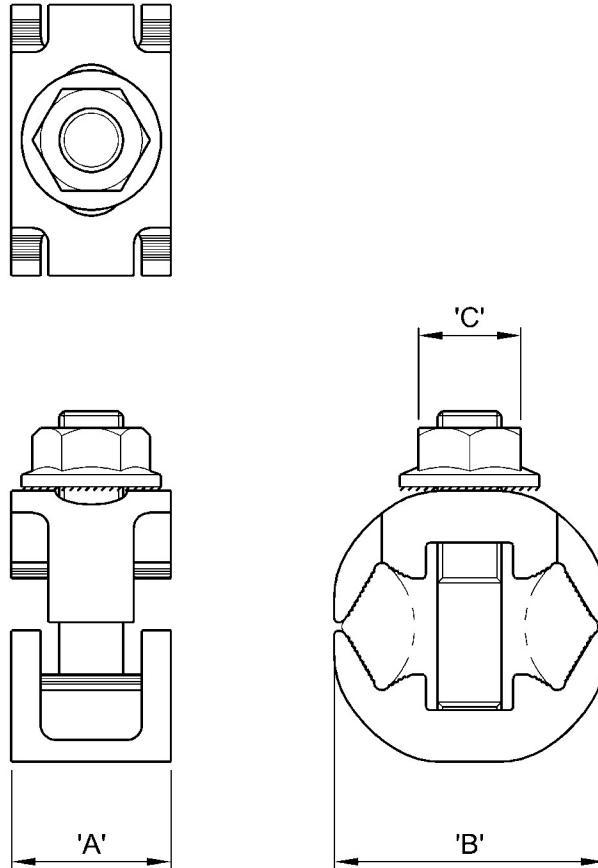
(See Technical Data Sheet 8.09 for product specification)

- Mains Service Connector
- Service / Service

MECHANICAL CONNECTORS

LVS Connector

Physical Dimensions



Connector Reference (Part Number)	Dimensions (mm)		
	'A'	'B'	'C'
LVS 1 (3395-418)	20	34	13 A/F
LVS 2 (51803-53)	20	44	13 A/F
LVS 3 (51803-51)	22	54	13 A/F

Material:

Aluminium Alloy (Electro-Tinned)

©COPYRIGHT

Sicame UK Ltd operates a continuous product design development and improvement programme and offers active co-operation establishing satisfactory procedures and systems to meet new or unusual jointing situations. The company reserves the right to introduce modifications to the above designs and specifications without prior notice.

sicame
UK

1.78

JANUARY 2020