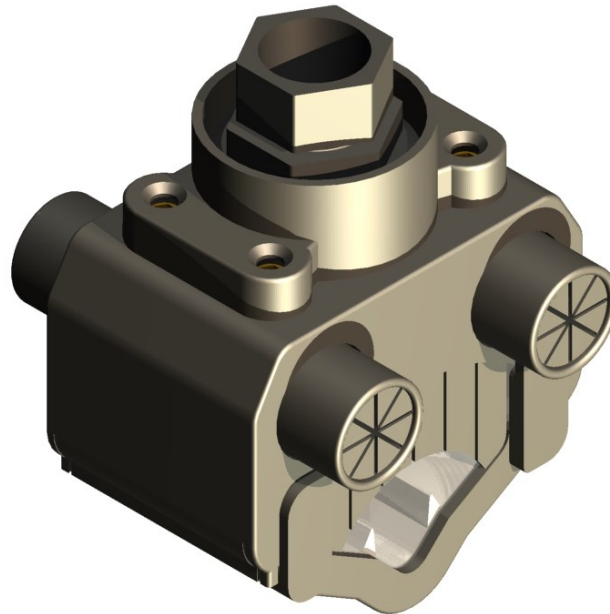


LV Fully Insulated,
Insulation - Piercing
Mains Service Connectors
(with single / double service)

MECHANICAL CONNECTORS

NMS185/35 & NMS300/35 Connectors



Principle Application:

For the LV jointing of aluminium/copper, stranded or solid service cables to sector shaped, solid/stranded, aluminium/copper mains cables.

Range:

Connector Reference	Core C.S.A. (mm ²)		
	Mains		Service x 2
	Min.	Max.	
NMS185/35	70	185	4 - 35
NMS300/35	240	300	4 - 35

Note: For jointing other core configurations/sizes please contact Sicame Engineering Dept

The **Sicame NMSxxx/35** range of insulated, insulation piercing connectors has been designed to improve the level of safety during live jointing by eliminating the need to remove core insulation.

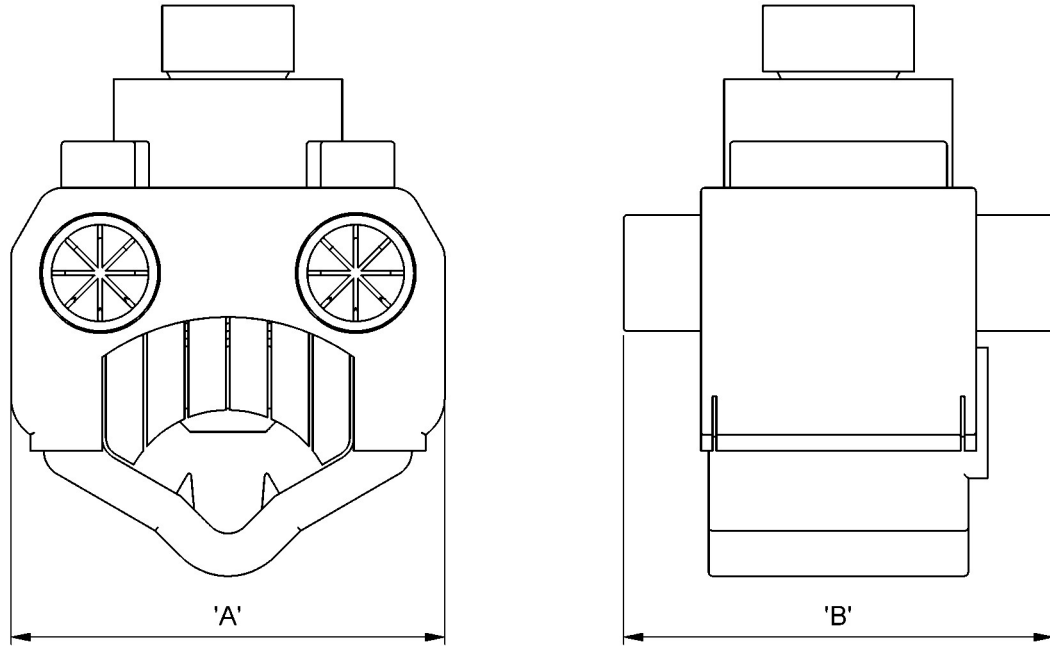
They provide the end user with a quick, reliable and inherently safe method of jointing 'live' with facility to withstand service 'load pick up'.

LV Fully Insulated,
Insulation - Piercing
Mains Service Connectors
(with single / double service)

MECHANICAL CONNECTORS

NMS185/35 & NMS300/35 Connectors

Physical Dimensions



Connector Reference	Dimensions (mm)	
	'A'	'B'
NMS185/35	47.5	58.0
NMS300/35	56.0	58.0

Material:

Connector: Aluminium Alloy (Tinned)
Service Screws: Brass
Shroud: Polypropylene

Test Specification: BS EN 6128-1 Class B

Test Reports: TTR/341, TTR/342, TTR/343, TTR/344, TTR/356,
TTR/357

©COPYRIGHT

Sicame UK Ltd operates a continuous product design development and improvement programme and offers active co-operation establishing satisfactory procedures and systems to meet new or unusual jointing situations. The company reserves the right to introduce modifications to the above designs and specifications without prior notice.

sicame
UK

1.73g

SEPTEMBER 2015