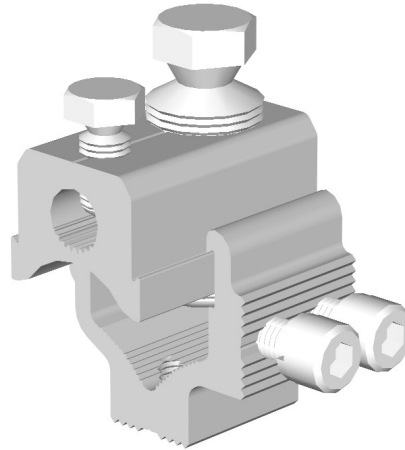


**UMT95S, UMT185S & UMT300S  
Connectors**



**Principle Application**

For LV mains/service terminations of sector/round, stranded/solid aluminium/copper conductor cores.

**Range**

Connector Reference	Mains (mm <sup>2</sup> )		Service (mm <sup>2</sup> )		Approx Unit Weight (grms)
	Min	Max	Min	Max	
UMT95S	25	95	10*	70	
UMT185S	35	185	10*	70	
UMT300S	70	300	10*	70	

Note: For jointing other core configurations/sizes please contact Sicame Engineering Dept

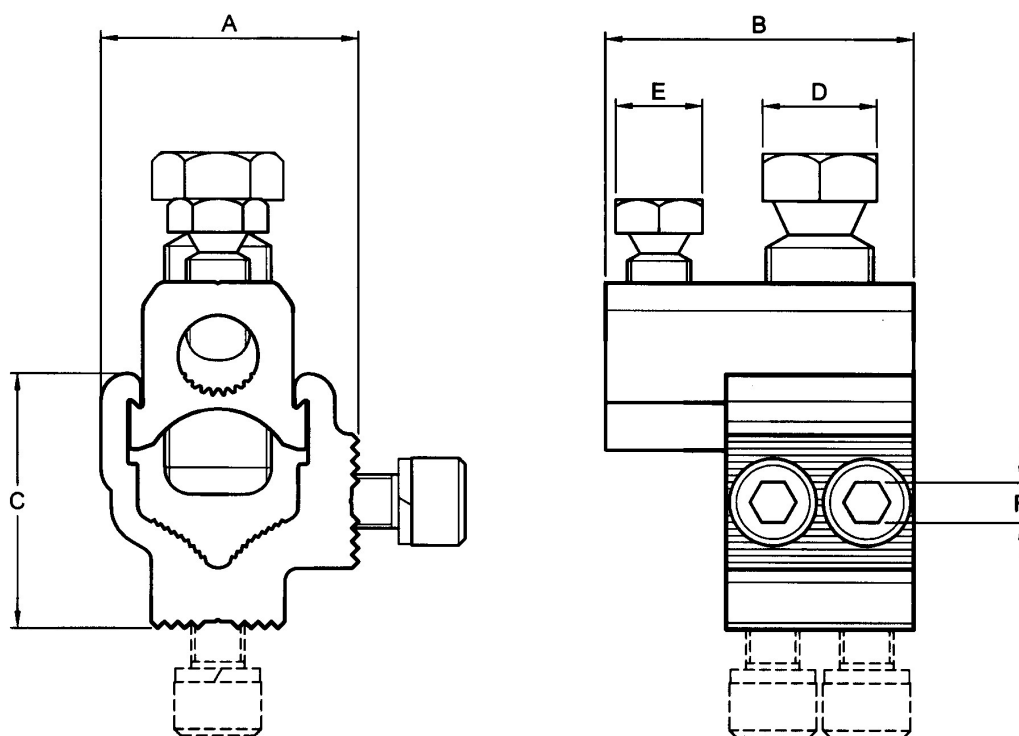
The **Sicame UMT/S** range of universal mains/service termination connectors accommodates an extensive range of LV cable styles and sizes.

The connector utilises the proven shear head direct acting bolts (plated) thereby removing the need for pressure plates.

The plated bolts, combined with a standard plated yoke section, allow for the jointing of mains copper conductor cores without the need for conventional brass gauze.

**UMT95S, UMT185S & UMT300S  
Connectors**

**Physical Dimensions**



Connector Reference	Dimensions (mm)					
	A	B	C	D	E	F
UMT95S	30.5	43.0	30.5	13 A/F	13 A/F	5 A/F
UMT185S	38.5	46.0	38.0	17 A/F	13 A/F	6 A/F
UMT300S	44.5	49.0	44.5	17 A/F	13 A/F	6 A/F

**Material**

Aluminium Alloy

**Test Specification**

Designed to meet the requirements of Engineering Recommendation C79, BS4579 and IEC1238-1.